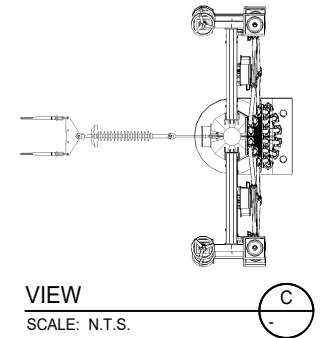
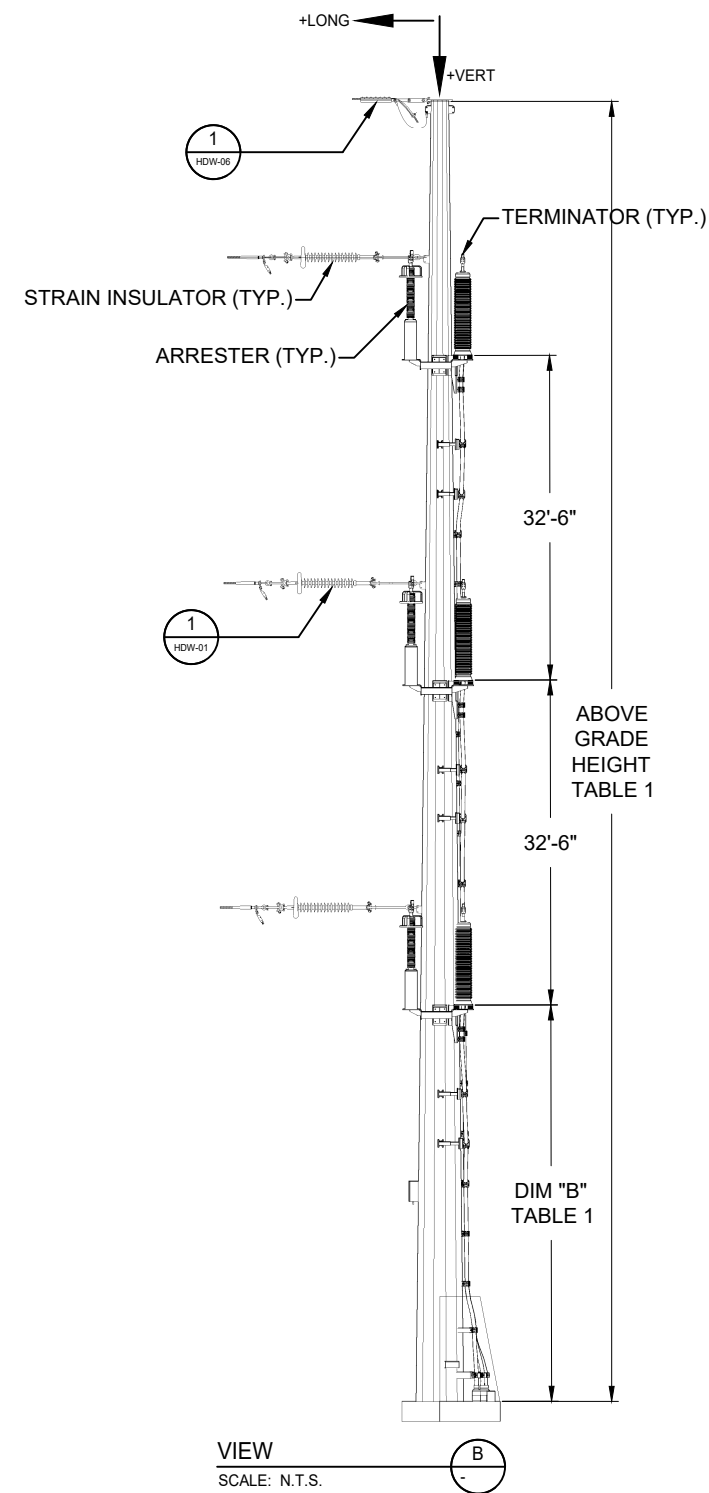
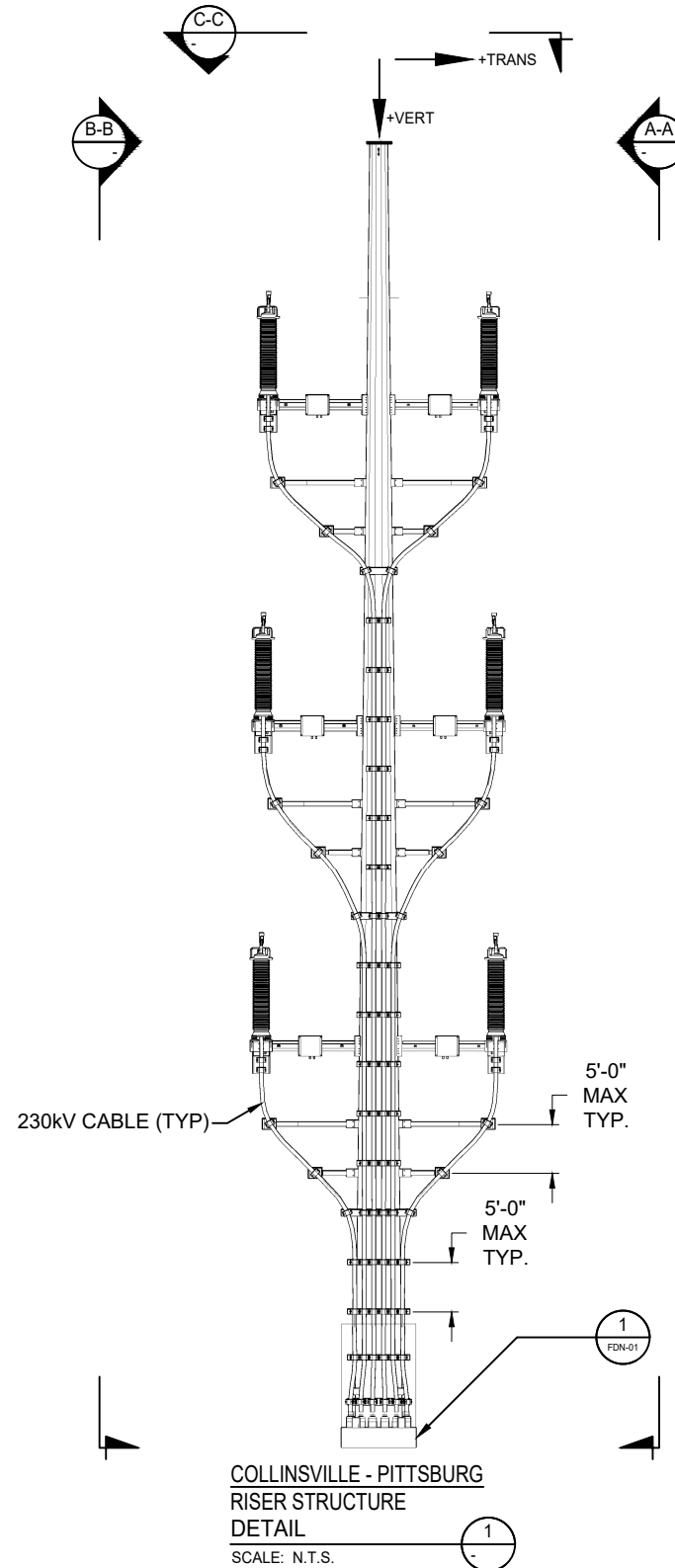
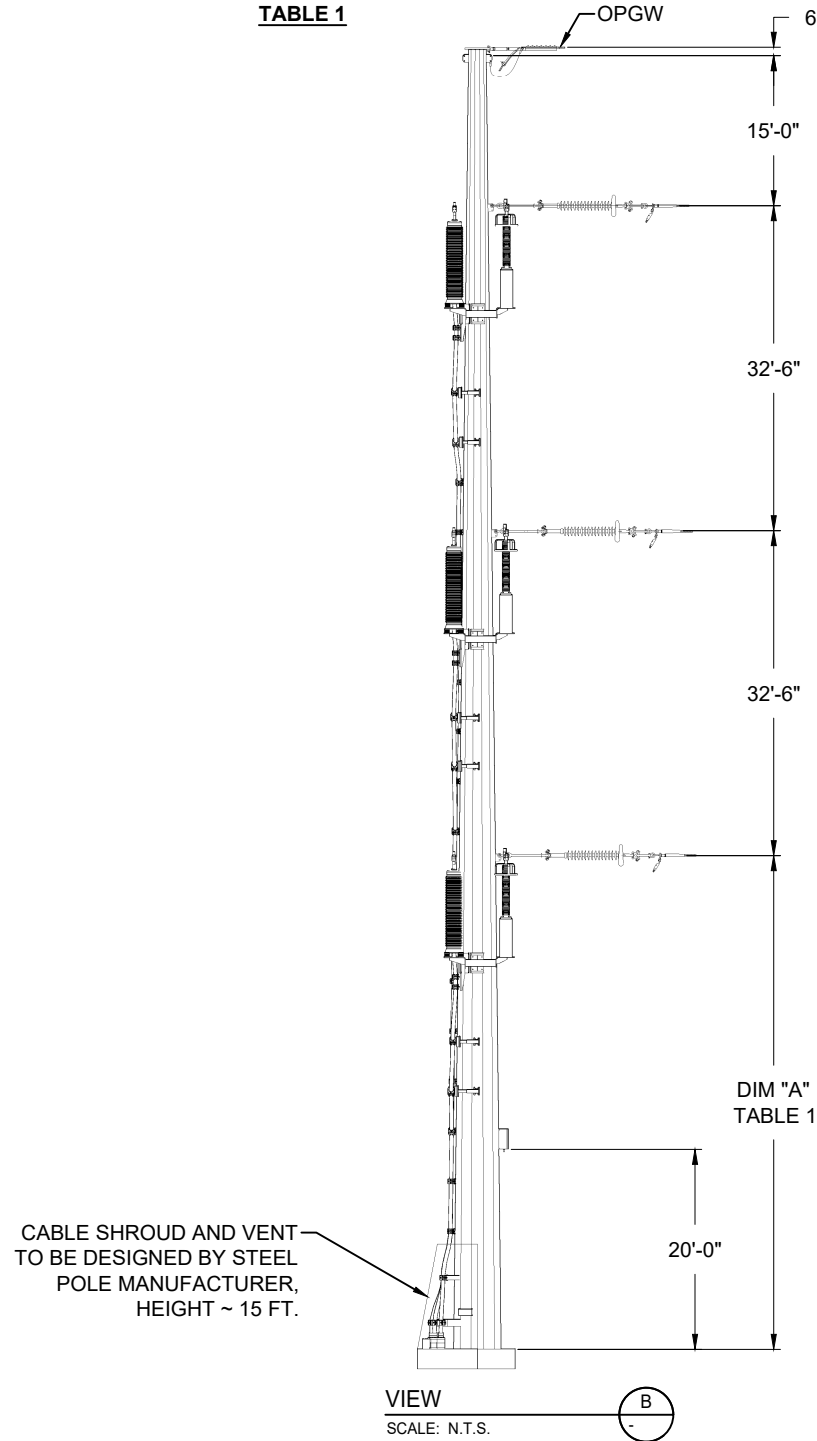


STR NO.	ABOVE GRADE HEIGHT (FT-IN)	DIM "A" (FT-IN)	DIM "B" (FT-IN)
1/5 A	135-2	54-8	44-8
1/5 B	134-9	54-2	44-2

TABLE 1



1. DANGER SIGN AND AERIAL TAGS ARE TO BE ON FLAT 1. DEADEND CONDUCTORS ATTACH TO FLAT 1.
2. LOOKING TOWARDS PITTSBURG SUBSTATION.

								DSGN	BT	10/25/2024		LS POWER GRID CALIFORNIA, LLC		JOB NUMBER	REV
								DRN	JIO	10/25/2024		COLLINSVILLE-PITTSBURG #1 & #2 230 kV TRANSMISSION LINE		0251312	A
								CKD	MDS	10/25/2024		DRAWING NUMBER CP-FRM-05			
A	ISSUED FOR BID	10/25/2024	JIO	BT	MDS	CPD	CP-DL-01	SCALE:		NTS	SINGLE CIRCUIT RISER		DRAWING NUMBER CP-FRM-05		
REV	REVISIONS	DATE	DRN	DSGN	CKD	APPD	REFERENCE DRAWINGS			FOR 11x17 DWG ONLY			SHEET 05 OF 09		